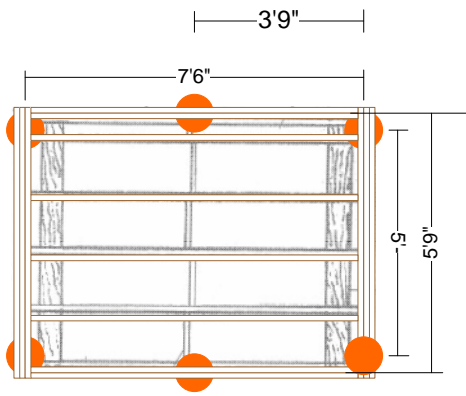
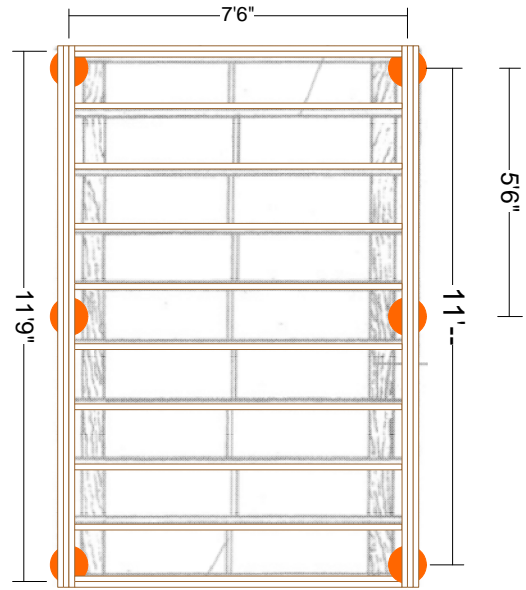


Shed Footings



Utility shed



Power House